

## Angle Seat Globe Valve, Plastic

### Construction

The GEMÜ N507 manually operated valve consists entirely of plastic. All components (except for sealing elements) are made from PVC-U.

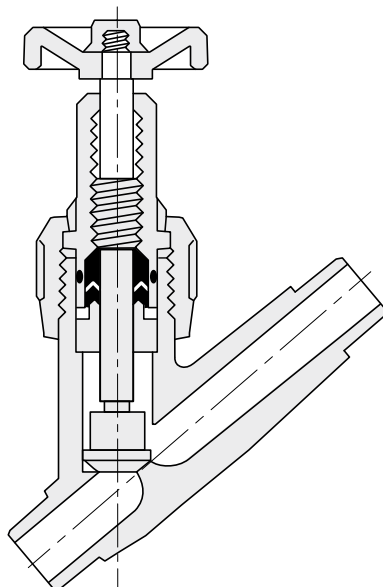
### Features

- Corrosion-resistant materials
- Various connections are available (spigots, threaded sockets, solvent cement sockets, flanges)
- Valve spindle sealing made from PE or PTFE

### Advantages

- Easy to service
- Good flow capability due to the angle seat design
- Low weight

Sectional view



## Technical data

### Working medium

Corrosive, inert and liquid media which do not adversely affect the physical and chemical properties of the relevant valve body and seal materials.

Media temperature 10 to 60 °C

### Operating pressure

at 20 °C (water) max. 16 bar

### Ambient temperature

Valve body PVC-U 10 to 50 °C

### Kv values [l/min]

DN	10	15	20	25	32	40	50
	47	110	205	375	560	835	1300

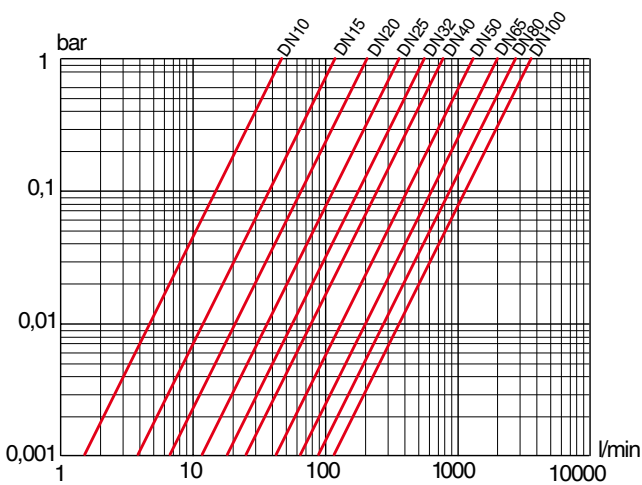
Kv values determined for water at 20 °C,  $\Delta p$  1 bar, with a fully open valve.

### Pressure / temperature correlation for PN 16

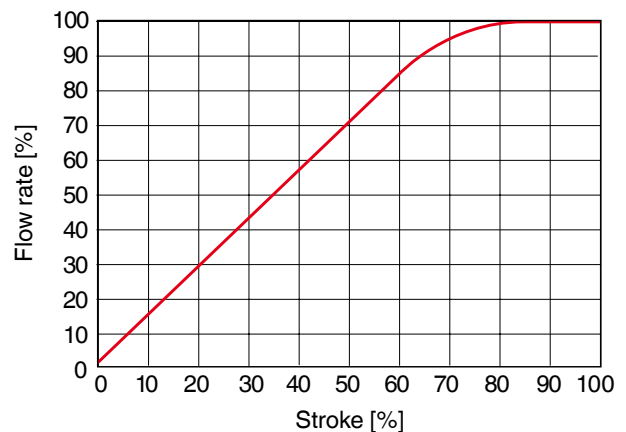
Temperature in °C (plastic body)	-20	-10	±0	5	10	20	25	30	40	50	60	70	80	
<b>Valve body material</b>	<b>Permissible operating pressure in bar</b>													
PVC-U	Code 1	-	-	-	-	16.0	16.0	16.0	12.8	9.6	5.6	2.4	-	-

Data for extended temperature ranges on request. Please note that the ambient temperature and medium temperature generate a combined temperature at the valve body which must not exceed the above values.

### Pressure loss diagram



### Flow diagram



## Order data

Body configuration	Code	Valve body material	Code
2/2-way body	D	PVC-U, grey	1

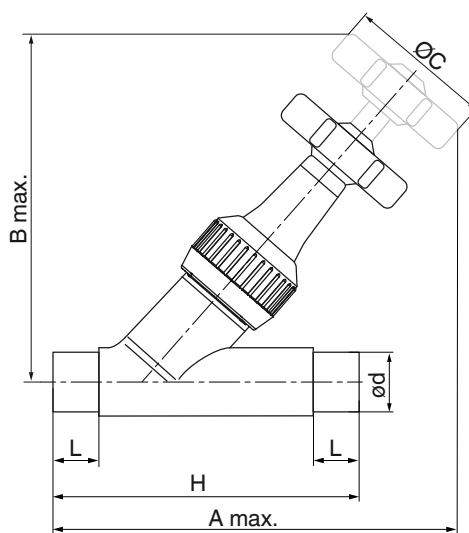
Connection	Code	Seal	Code
Spigots DIN	0	FPM	4
Threaded sockets DIN ISO 228	1	EPDM	14
Solvent cement/welded sockets DIN	2		
Flanges EN 1092 / PN 10 / form B	4		

Order example	N507	25	D	1	1	4
Type	N507					
Nominal size		25				
Body configuration (code)			D			
Connection (code)				1		
Valve body material (code)					1	
Seal (code)						4

## Dimensions [mm]

### Spigots, connection code 0 Valve body material: PVC-U grey (code 1)

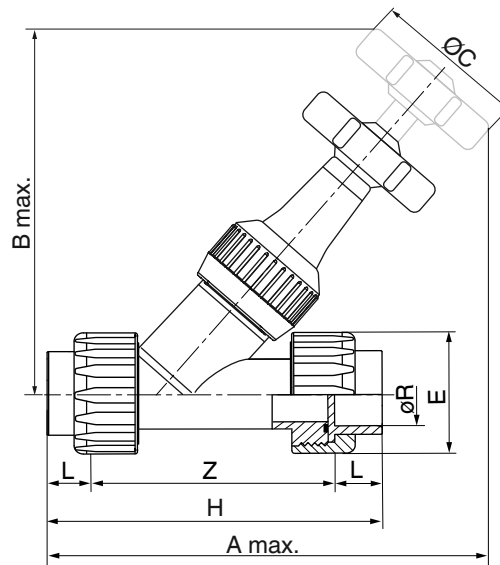
DN	PN Operating pressure	ød	B max.	øC	A max.	L	H	Weight [g]
10	16 bar	16	124	60	136	14	114	150
15	16 bar	20	124	60	146	16	124	160
20	16 bar	25	146	60	165	19	144	250
25	16 bar	32	173	70	188	22	154	380
32	10 bar	40	195	85	217	26	174	480
40	10 bar	50	222	105	247	31	194	820
50	10 bar	63	269	130	299	38	224	1345



## Dimensions [mm]

### Threaded sockets, connection code 1 Valve body material: PVC-U grey (code 1)

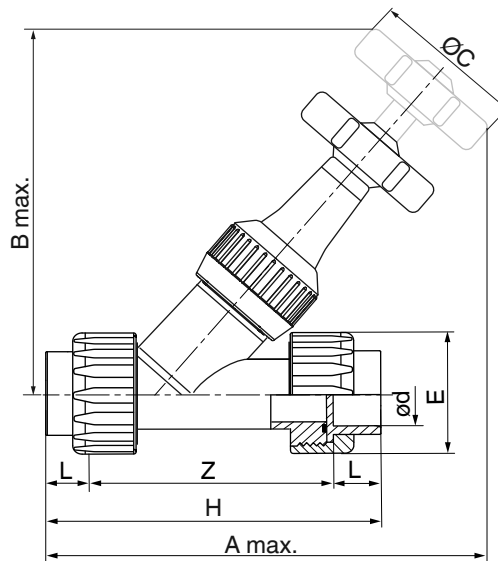
DN	PN Operating pressure	øR	B max.	øC	E	L	Z	H	A max.	Weight [g]
10	16 bar	3/8"	124	60	55	11.4	112.2	135	170	238
15	16 bar	1/2"	124	60	55	15.0	113.0	143	173	251
20	16 bar	3/4"	146	60	66	16.3	127.4	160	197	413
25	16 bar	1"	173	70	75	19.1	144.8	183	223	621
32	10 bar	1 1/4"	195	85	87	21.4	171.2	214	258	903
40	10 bar	1 1/2"	222	105	100	21.4	192.2	235	295	1320
50	10 bar	2"	269	130	120	25.7	233.6	285	359	2238



## Dimensions [mm]

### Solvent cement sockets, connection code 2 Valve body material: PVC-U grey (code 1)

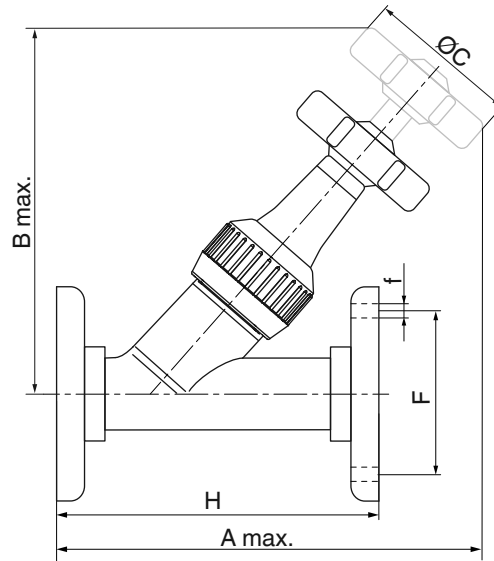
DN	PN Operating pressure	ød	B max.	øC	E	L	Z	H	A max.	Weight [g]
10	16 bar	16	124	60	55	14	107	135	170	238
15	16 bar	20	124	60	55	16	103	135	173	251
20	16 bar	25	146	60	66	19	120	158	197	413
25	16 bar	32	173	70	75	22	132	176	223	621
32	10 bar	40	195	85	87	26	155	207	258	903
40	10 bar	50	222	105	100	31	181	243	295	1320
50	10 bar	63	269	130	120	38	222	298	359	2238



## Dimensions [mm]

### Flanges – DIN, connection code 4 Valve body material: PVC-U grey (code 1)

DN	PN Operating pressure	d	B max.	øC	H	F	f	Weight [g]
15	16 bar	20	124	60	130	65	14	300
20	16 bar	25	146	60	150	75	14	455
25	16 bar	32	173	70	160	85	14	655
32	10 bar	40	195	85	180	100	18	1025
40	10 bar	50	222	105	200	110	18	1390
50	10 bar	63	269	130	230	125	18	2155



### Overview of valve bodies for GEMÜ N507

Connection code	0	1	2	4
<b>DN</b>				
10	X	X	X	-
15	X	X	X	X
20	X	X	X	X
25	X	X	X	X
32	X	X	X	X
40	X	X	X	X
50	X	X	X	X

**GEMÜ**® VALVES, MEASUREMENT  
AND CONTROL SYSTEMS

