

Construction

The 4/2 way compact indirectly controlled valve with aluminium body, piston slide valve and detachable coil encapsulated in plastic has got a T-ring piston slide valve with soft seal. It is servo assisted. The electrical connection is made via a plug to DIN EN 175301-803 form A.

Features

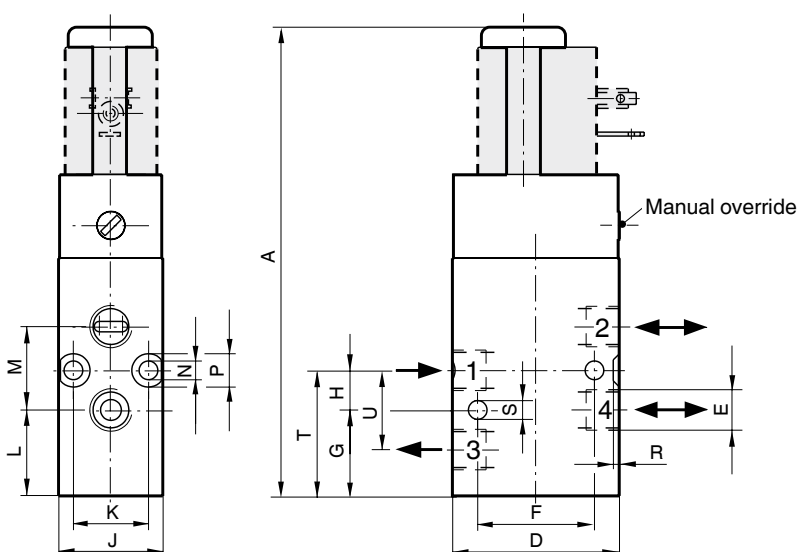
- Filtered, lubricated or oil-free compressed air is a suitable working medium
- The valve is suitable for the control of double acting pneumatic cylinders and diaphragm actuators or other pneumatic actuators
- In order to achieve the maximum possible reliability and service life it is advisable to prepare the working medium using a lubricator and filter regulator

Advantages

- Optional mounting position
- Standard manual override
- Battery mounting with common air inlet is possible
- The coil can be replaced without removing the valve body from the pipeline
- Technically advanced and proven construction



Body dimensions GEMÜ 8505 [mm]



DN	A	D	E	F	G	H	J	K
4	112.5	40	G 1/8	28	20.5	9.5	25	18
7	127.5	55	G 1/4	32	28.5	12.0	30	23
	L	M	ØN	ØP	R	ØS	T	U
4	20.5	20	4,5	8	2	4,5	30.0	19
7	28.5	24	4,5	-	-	5,5	40.5	29

Technical data

Working medium

Filtered, lubricated or unlubricated compressed air which has no negative impact on the physical and chemical properties of the body and seal material.

Perm. temp. of working medium -10 °C to +50 °C
Min. differential pressure ΔP 1 bar

Protection class

IP 65 Ex version upon request

Rating

Continuously rated

Switching time

DN 4 approx. 20 ms

DN 7 approx. 27 ms

Power consumption

A.C. operation:

DN 4 (solenoid 3052) 8.5 VA
DN 7 (solenoid 3033) 4.9 VA

D.C. operation:

DN 4 (solenoid 3052) 4.8 W
DN 7 (solenoid 3033) 2.7 W

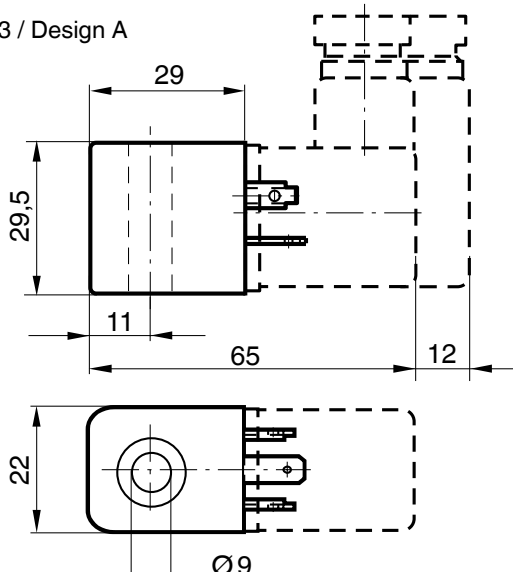
Nominal size	Plug size	Operating pressure	K_V value	Weight
DN	DIN EN 175301-803	[bar]	[m ³ /h]	[kg]
4	Design B (GEMÜ 3052)	1.5 - 10	0.70	0.30
7	Design A (GEMÜ 3033)	1.0 - 10	1.40	0.39

Wiring note:

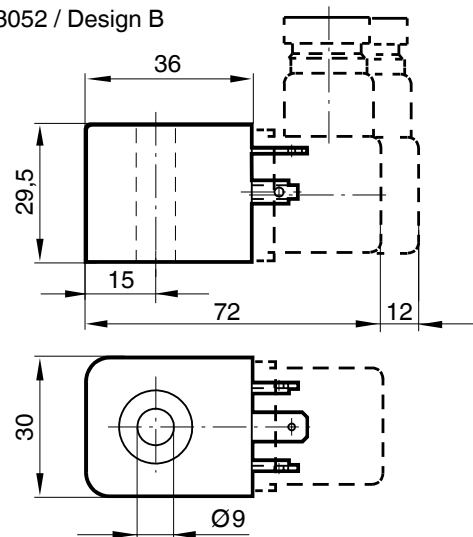
Special wiring on request. When using electronic switches and additional wiring, carefully design out any potential residual currents upon installation.

Operating solenoids with plug to DIN EN 175301-803, Designs A and B

DN 7 / 3033 / Design A



DN 4 / 3052 / Design B



Optional:

- Socket with visual indication
- Ex solenoids GEMÜ 3060/3061 K-no. 6491

Solenoid order no.	Power consumption		Protection class
	24 V DC	24 V AC (50 Hz)	
3033 (design A)	2.7 W	4.9 VA	IP 65
3052 (design B)	4.8 W	8.5 VA	

Optional: without socket (K-no. 1007)

Order data

Body configuration	Code
Multi-way	M

Supply voltage	Code
24 V	24
110 V	110
230 V	230

Connection	Code
Threaded sockets DIN ISO 228	1

Valve body material	Code
Aluminium (Al)	14

Mains frequency	Code
50 Hz	50
DC	DC

Seal material	Code
Perbunan (NBR)	2

Operating/Reset	Code
Solenoid / Air spring	1

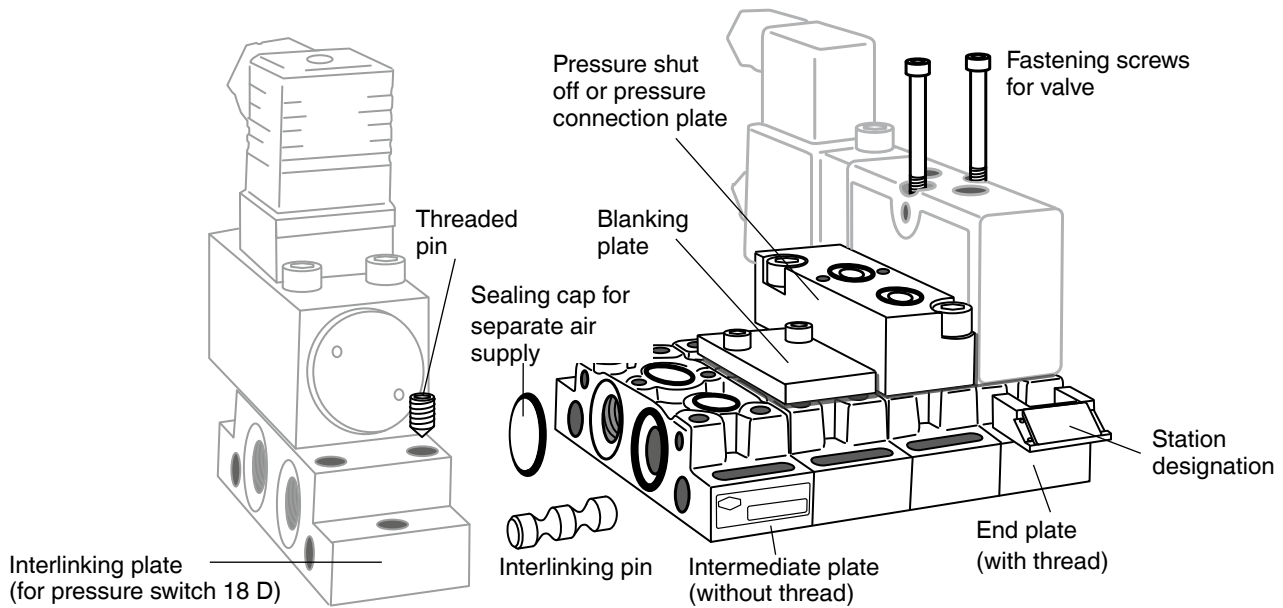
Voltage / Frequency availability

AC voltage	24 V AC, 110 V AC, 230 V AC	50 Hz
DC voltage	24 V DC, 110 V DC	-

Further voltages and ex-solenoids upon request.

Order example	8505	4	M	1	14	2	1	230	50
Type	8505								
Nominal size		4							
Body configuration (code)			M						
Connection (code)				1					
Valve body material (code)					14				
Seal material (code)						2			
Operating/Reset (code)							1		
Voltage (code)								230	
Frequency (code)									50

Interlinking system



Parameters (interlinking without valves)

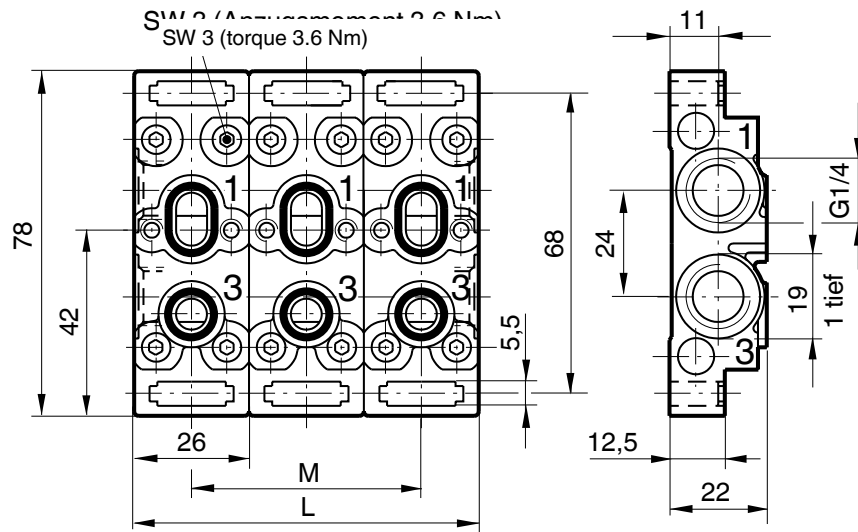
Designation	DN 4		DN 7	
	Weight [g]	Order no.	Weight [g]	Order no.
End plate complete (with thread)	100	0559984	160	0559986
Intermediate plate complete (without thread)	100	0559985	160	0559987
Interlinking plate complete (for pressure switch 18D)	100	0540937	180	0540909
Pressure shut-off plate complete (for valve mounting when pressure is applied)	80	0541502	160	0541461
Pressure connection plate complete (for separate air supply)	80	0541505	160	0542940
Interlinking for 2 valves	180	2629202	320	2629402
Interlinking for 3 valves	280	2629203	490	2629403
Interlinking for 4 valves	370	2629204	650	2629404
Interlinking for 5 valves	470	2629205	820	2629405
Interlinking for 6 valves	560	2629206	980	2629406
Interlinking for 7 valves	660	2629207	1150	2629407
Interlinking for 8 valves	750	2629208	1320	2629408
Interlinking for 9 valves	850	2629209	1480	2629409
Interlinking for 10 valves	940	2629210	1650	2629410
Interlinking for 11 valves	1040	2629211	1810	2629411
Interlinking for 12 valves	1130	2629212	1980	2629412
Blanking plate complete	10	0540038	20	0540527
Threaded plug	10	0565449	20	0701192
Seal for threaded plug	-	0660835	-	0700835
Sealing plug (for separate air supply)	-	0540594	-	0540526

The interlinking plates are available as single plates (unassembled) and as multiple interlinking plates (assembled). Fastening screws for valves are included with the interlinking plates. Single rail for pressure supply upon request

Order example	Order no..
a) Interlinking for 3 valves (assembled)	2629403
b) 2 end plates. 2x	0559986
1 intermediate plate (unassembled)	0559987

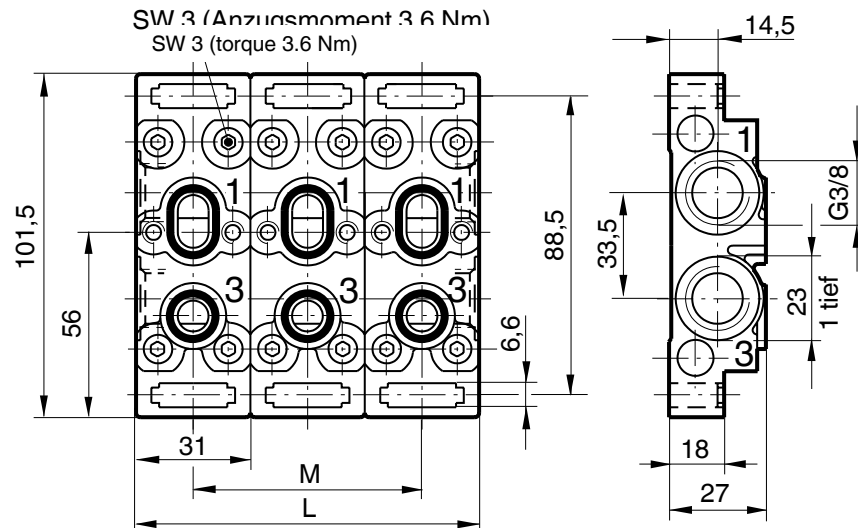
Dimensions [mm]

Interlinking system DN 4



Order no.	for n-valves	L	M	Order no.	for n-valves	L	M
0559984	1	26	-	2629207	7	182	156
0559985	1	26	-	2629208	8	208	182
2629202	2	52	26	2629209	9	234	208
2629203	3	78	52	2629210	10	260	234
2629204	4	104	78	2629211	11	286	260
2629205	5	130	104	2629212	12	312	286
2629206	6	156	130				

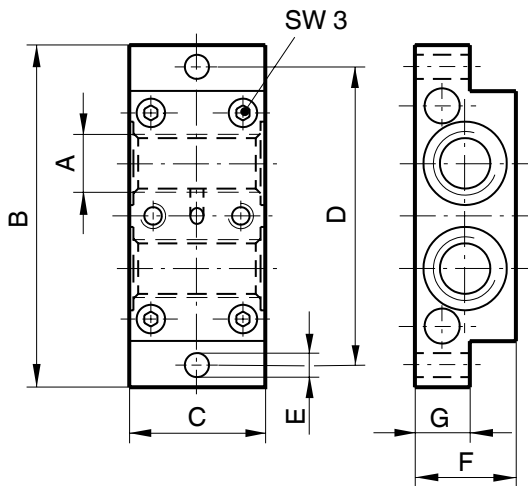
Interlinking system DN 7



Order no.	for n-valves	L	M	Order no.	for n-valves	L	M
0559986	1	31	-	2629407	7	217	186
0559987	1	31	-	2629408	8	248	217
2629402	2	62	31	2629409	9	279	248
2629403	3	93	62	2629410	10	310	279
2629404	4	124	93	2629411	11	341	310
2629405	5	155	124	2629412	12	372	341
2629406	6	186	155				

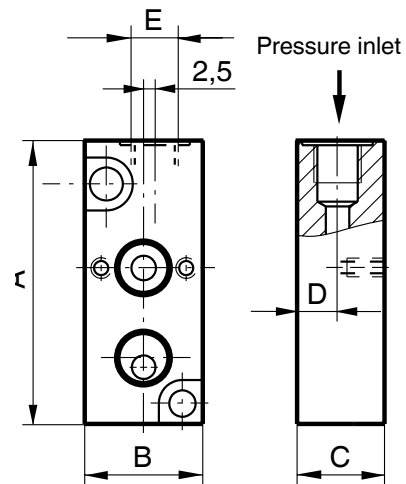
Dimensions [mm]

Pressure connection plate 18D



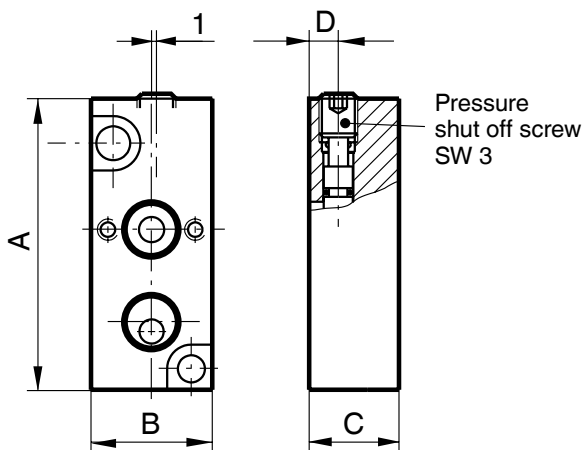
Order no.	A	B	C	D	E	F	G
0540937	G 1/4	78	31	68	5.5	23	12.5
0540909	G 3/8	101	31	88	7.0	28	18.0

Pressure connection plate



Order no.	DN	A	B	C	D	E
0541505	4	60.0	25	18,5	8.5	G 1/8
0542940	7	77.5	30	24,0	12.0	G 1/4

Pressure shut-off plate



Order no.	DN	A	B	C	D
0541502	4	60.0	25	18.5	6
0541461	7	77.5	30	24.0	12

Further pilot valves, metal



GEMÜ 8303
3/2-way metal pilot valve,
directly controlled,
brass or stainless steel,
DN 2 (1.0 - 10 bar)

GEMÜ 8357
3/2-way metal pilot valve,
servo assisted,
aluminium
DN 6 (1.0 - 10 bar)



GEMÜ 8506
3/2 and 5/2 metal pilot valve,
servo assisted,
aluminium
DN 6 (2.0 - 8.0 bar)

For further metal solenoid valves, accessories and other products, please see our Product Range catalogue and Price List. Contact GEMÜ.

GEMÜ® VALVES, MEASUREMENT
AND CONTROL SYSTEMS

